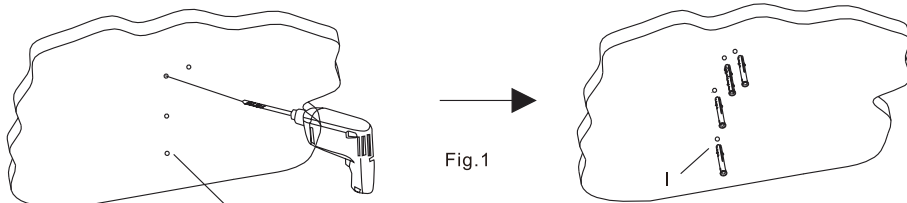


## WARNING

1. Tighten screws firmly but do not over tighten. Over tightening can damage the screws and greatly reduce their holding strength.
2. Ensure mounting screws are anchored in the centre of the studs. Use of an 'edge to edge' stud finder is highly recommended.



Diameter=10mm  
Depth=50mm

Fig.1

Fig.2

## STEP 1

Drill into the wall and place four 10x50 concrete anchors (H) into the holes as shown in Fig. 1 and 2.

Next, attach the wall board (L) to the wall using four lag bolts (H) and spacers (J) as shown in the Fig. 3. Use a spirit level to ensure the wall board (L) installation is levelled.

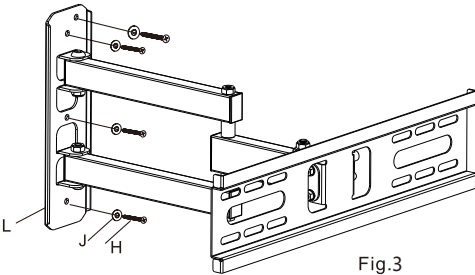


Fig.3

## STEP 2

Place the A-F bolt into the spacer (G) and then attach the spacer (G) to the TV holder (M). Next, align the TV holder (M) with the TV set mounting holes and place washers (K) in between them as shown in Fig. 4. Tighten the A-F bolts to secure the TV holder (M) to the TV set.

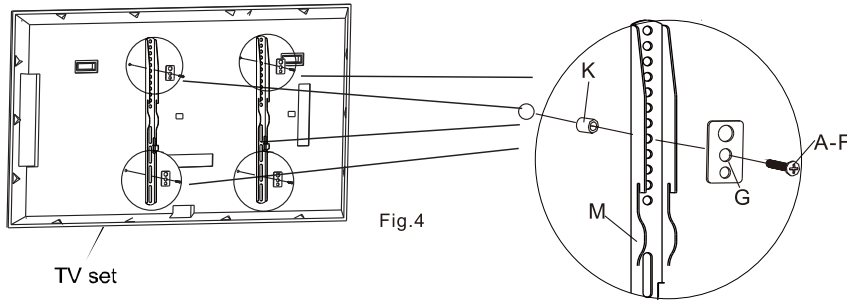


Fig.4

TV set

## STEP 3

Attach the TV holder (M) and TV set assembly to the wall board (L). Tighten the lock screw.

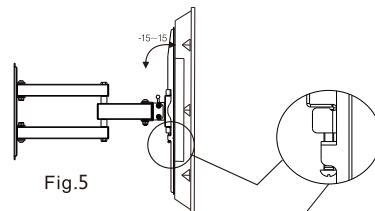


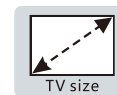
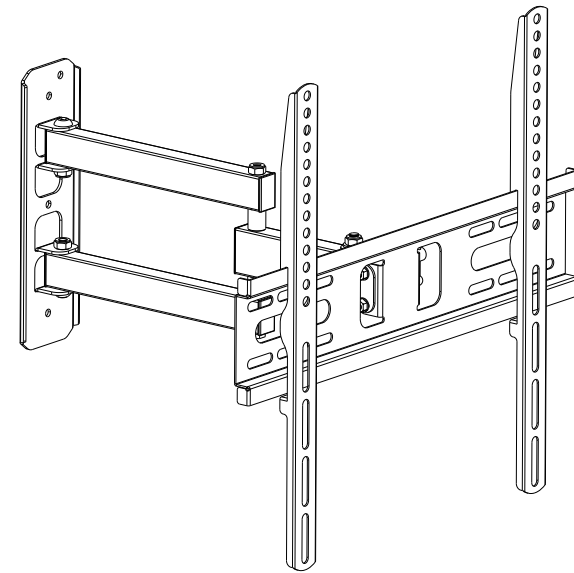
Fig.5

Please tight the screw

ARTISS

# INSTALLATION INSTRUCTIONS

MODEL: TV-MOUN-B-SINGLE-21AT



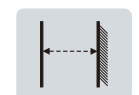
23"~55"



400x400 mm



25 Kgs



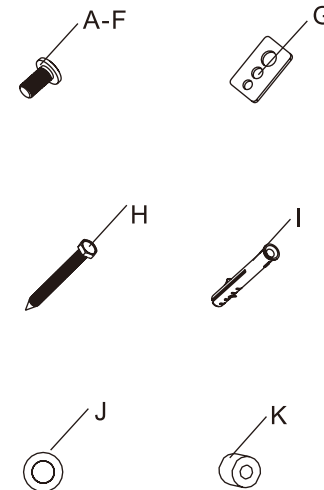
125-520mm

# ! WARNING

1. Please read these instructions carefully before installing this product to avoid product damage and personal injury.
2. Please refer to the manufacturer's installation recommendations for the required distance away from wall to avoid the risk of property damage.
3. This product should only be installed by a person of good mechanical aptitude with basic building experience and can fully understand the instructions.
4. Ensure that the supporting surface will be able to safely support the combined load of the product and all other attached equipment and components.
5. Never exceed the maximum load capacity of the product.
6. If mounting to wall studs, ensure that the mounting screws are anchored in the centre of the studs. Use of an 'edge to edge' stud finder is highly recommended.
7. This product is intended for indoor use only. Use of this product outdoors could lead to product failure and personal injury.

## PARTS LIST

PART	QTY	INDEX
Bolt M5x16	4	A
Bolt M6x16	4	B
Bolt M8x16	4	C
Bolt M5x30	4	D
Bolt M6x30	4	E
Bolt M8x30	4	F
Spacer with 3 holes	4	G
Lag bolt St6x50	5	H
Concrete anchor 8x40	5	I
∅6.5x16x1.5 Spacer	5	J
∅8.5x18x15 Washer	4	K
wall board	1	L
TV board	2	M



## INSTALLATION STEPS

