

Manual

Notice



Read this assembly manual carefully, and verify that you have all the parts listed before you begin. Keep your assembly manual for future reference.



Move this stand gently with 2 persons.



Protect finishes by placing furniture pieces on a soft carpeted surface during assembly.



Please wear your gloves before installation to avoid injury.



Do not place very hot/cold objects on top of any surface. Always use a coaster or mat. Never leave liquids on the surface. Clean immediately with a mild soap and a damp cloth. Never use scouring powder based cleanser. Don't touch the glass surface with a hard/acute object it may cause the glass to shatter.



DO NOT ASSUME CHILD SAFETY WITH ANY PIECE OF FURNITURE!

Do not allow children to climb on furniture. Improper use can cause death or serious injury. If you are placing a TV on top use safety straps on your TV to prevent the risk of a toppling television. Furniture straps fastened to a wall can also be used to help ensure safety.

Damaged parts or furniture put together incorrectly can lead to serious injuries. Make sure to follow instructions correctly.

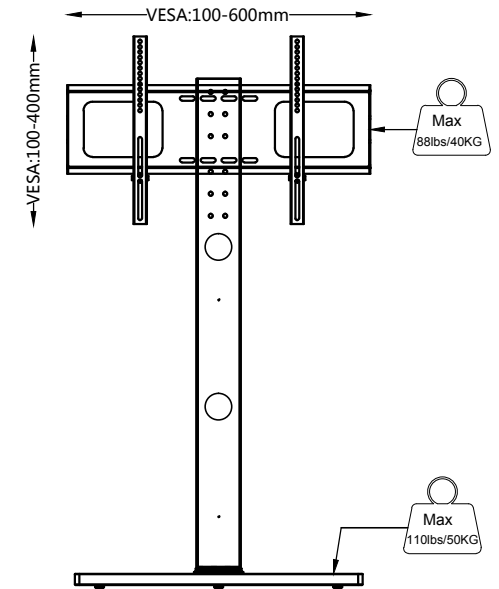
Parts list

① x1 	② x1 	③ x2 	④ x1 	⑤ x2
⑥ x1 	⑦ x1 			
A A ₁ X3 A ₂ X4 	B B ₁ X4 B ₂ X4 B ₃ X4 	C C ₁ X2 C ₂ X2 C ₃ X2 	D D ₁ X2 D ₂ X2 D ₃ X2 D ₄ X2 D ₅ X2 	E E ₁ X1 E ₂ X1 E ₃ X1 E ₄ X1
F F ₁ X1 F ₂ X1 F ₃ X1 F ₄ X1 	H 	S Screws for TV 	Tools Required (Not included) 	

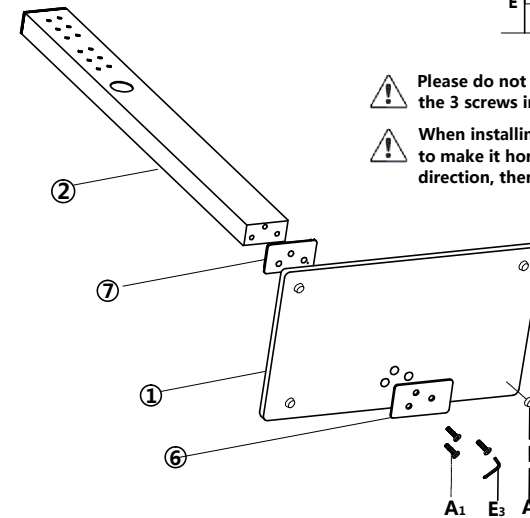


Model No.:
TV-MOUN-S08-BK
Floor TV Stand With Mount

For 32-70 Inch TV



1



A ₁		x3	①		x1
A ₂		x4	②		x1
E ₃		x1	⑥		x1
E ₄		x1	⑦		x1

- ⚠ Please do not fully tighten before fix all the 3 screws in the right holes.
- ⚠ When installing the frame, please adjust to make it horizontal in the left to right direction, then tighten the screws.

2

B ₁		x4	E ₁		x1
B ₂		x4	E ₂		x1
B ₃		x4	③		x2

⚠ Please check and select the right height holes before assembling.

B₃ B₂ ③ B₁

⚠ Please don't fully tighten until Step 5 to fix all the screws in the right holes.

3

④		x1	
C	C ₁		x2

Side View

4

C	C ₂		x2	E		x1
	C ₃		x2	E ₁		x1

⚠ Make Sure fully tighten all screws before putting on your TV.

Side View

5

S1		M6X25	x4	S5		x4
S2		M6X40	x4	S6		x4
S3		M8X25	x4			x4
S4		M8X45	x4	5		x2

⚠ Choose right screws for TV, the screws suit to most of TVs, but not all TVs.

S2 or S4 S5 S6

S1 or S3 S5 5

Curved or Recessed TV

Flat Panel TV

6

⚠ The back support offer 3 height options for TVs

⚠ The mount hook offer 3 height options for TVs

7

F ₁		x1	D ₁		x2
F ₂		x1	D ₂		x2
F ₃		x1	D ₃		x2
F ₄		x1	D ₄		x2

WALL F

F₃ F₄ F₁ F₂

D₁ D₂

D₃ D₄