

Manual



Model No.:
TV-MOUN-S08-3-BK
 Adjustable Desktop TV Stand With Mount

Notice



Read this assembly manual carefully, and verify that you have all the parts listed before you begin. Keep your assembly manual for future reference.



Protect finishes by placing furniture pieces on a soft carpeted surface during assembly.



Please wear your gloves before installation to avoid injury.



Do not place very hot/cold objects on top of any surface. Always use a coaster or mat. Never leave liquids on the surface: Clean immediately with a mild soap and a damp cloth. Never use scouring powder based cleanser. Don't touch the glass surface with a hard/acute object it may cause the glass to shatter.

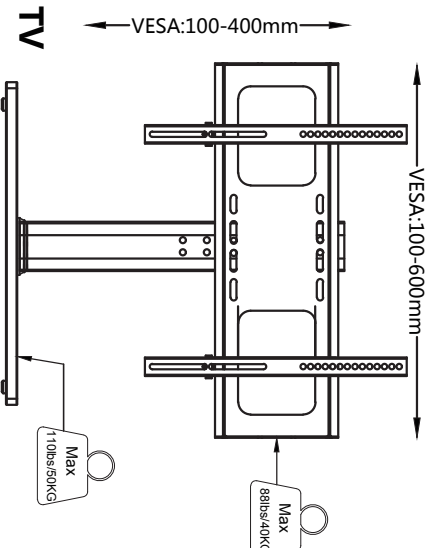


DO NOT ASSUME CHILD SAFETY WITH ANY PIECE OF FURNITURE!

Do not allow children to climb on furniture. Improper use can cause death or serious injury. If you are placing a TV on top use safety straps on your TV to prevent the risk of a toppling television. Furniture straps fastened to a wall can also be used to help ensure safety.

Damaged parts or furniture put together incorrectly can lead to serious injuries. Make sure to follow instructions correctly.

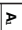

For 32-70 Inch TV

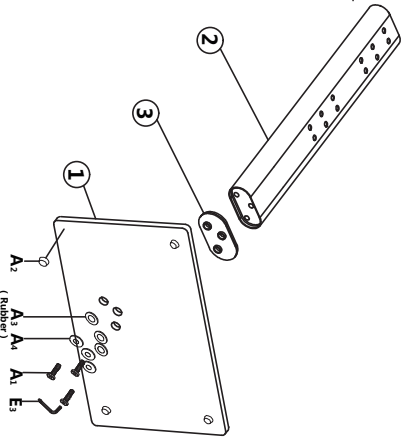


Parts list

1 x1	2 x1	3 x1	4 x1
5 x2			
A	B	C	D
A ₁ X3 A ₂ X4 A ₃ X3 (rubber washer)	B ₁ X4 B ₂ X4 B ₃ X4	C ₁ X2 (plastic washer) C ₂ X2 C ₃ X2	D ₁ X2 D ₂ X2 D ₃ X2 D ₄ X2 D ₅ X2
E	F	G	S
E ₁ X1 (13M) E ₂ X1 (5mm) E ₃ X1 (4mm)	F ₁ X2	G ₁ X1 G ₂ X1 G ₃ X1	Screws for TV

1

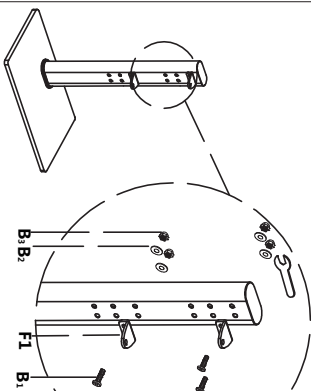
A		x3	1		x1
A		x4	2		x1
A		x3	3		x1
A		x3	E		x1



⚠ Please do not fully tighten before fix all the 3 screws in the right holes.

2



B		x4	E		x1
B		x4	E		x1
B		x4	F		x2

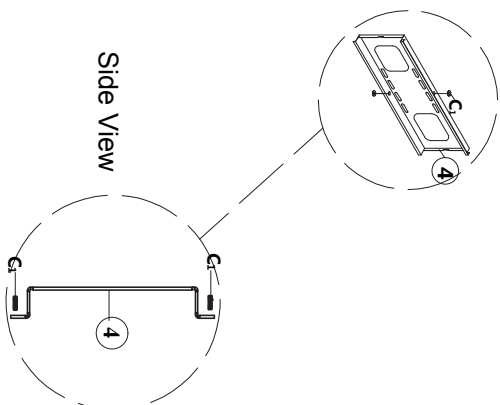


⚠ Please check and select the right height holes before assembling.

⚠ Please don't fully tighten until Step 4 to fix all the screws in the right holes

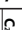



3

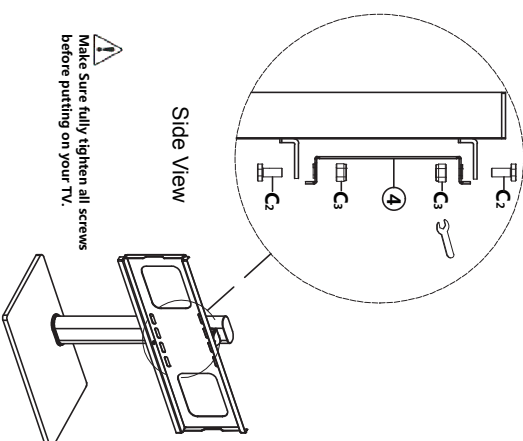
4		x1
C		x2



Side View

4

C		x2	E		x1
C		x2	E		x1



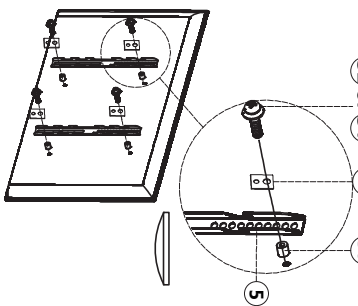
Side View

⚠ Make Sure fully tighten all screws before putting on your TV.


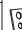






5

⚠ Choose right screws for TV, the screws suit to most of TVs, but not all TVs.

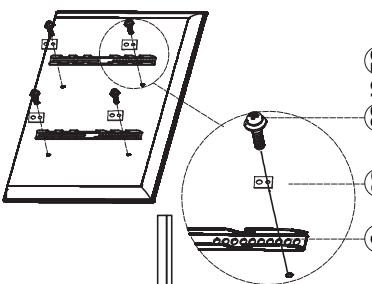
S2 or S4 S5 S6



Curved or Recessed TV

S1		M6x25	x4	S5		Square Washer	x4
S2		M6x40	x4	S6		Spine 18x22	x4
S3		M6x25	x4	S4		Spine 13x17	x4
S4		M6x45	x4	5			x2

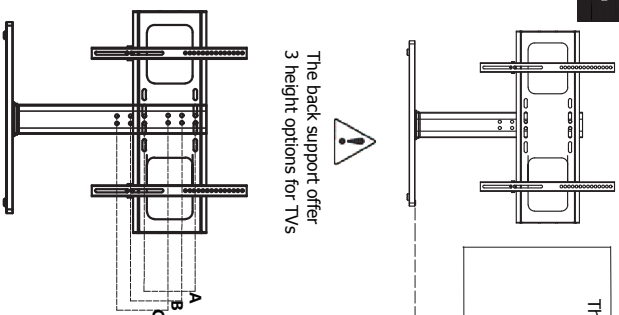
S1 or S3 S5 S



Flat Panel TV

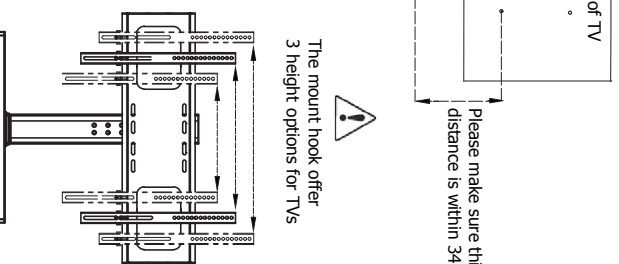
6

⚠ The back support offer 3 height options for TVs


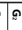





⚠ Please make sure this distance is within 34cm.

The mount hook offer 3 height options for TVs



7

G		x1	D		x2
G		x1	D		x2
G		x1	D		x2
G		x1	D		x2

