

# Manual



**Model No.:**  
**TV-MOUN-S08-2-BK**  
 Adjustable Desktop TV Stand With Mount

## Notice



Read this assembly manual carefully, and verify that you have all the parts listed before you begin. Keep your assembly manual for future reference.



Protect finishes by placing furniture pieces on a soft carpeted surface during assembly.



Please wear your gloves before installation to avoid injury.



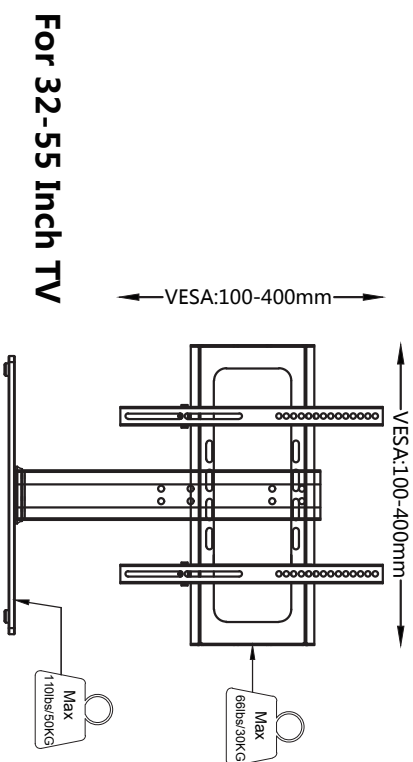
Do not place very hot/cold objects on top of any surface. Always use a coaster or mat. Never leave liquids on the surface. Clean immediately with a mild soap and a damp cloth. Never use scouring powder based cleanser. Don't touch the glass surface with a hard/acute object it may cause the glass to shatter.



### DO NOT ASSUME CHILD SAFETY WITH ANY PIECE OF FURNITURE!

Do not allow children to climb on furniture. Improper use can cause death or serious injury. If you are placing a TV on top use safety straps on your TV to prevent the risk of a toppling television. Furniture straps fastened to a wall can also be used to help ensure safety.

Damaged parts or furniture put together incorrectly can lead to serious injuries. Make sure to follow instructions correctly.

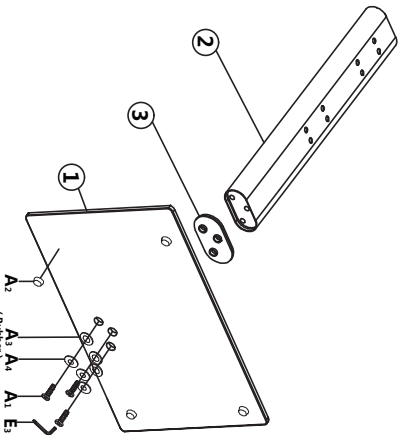


For 32-55 Inch TV

## Parts list

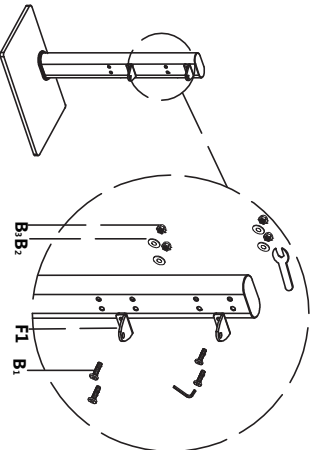
① x1	② x1	③ x1	④ x1
⑤ x2			
<b>A</b>	<b>B</b>	<b>C</b>	<b>D</b>
A <sub>1</sub> X3 (rubber washer) A <sub>3</sub> X3	B <sub>1</sub> X4 B <sub>2</sub> X4 B <sub>3</sub> X4	C <sub>1</sub> X2 (Plastic washer) C <sub>2</sub> X2 C <sub>3</sub> X2	D <sub>1</sub> X2 D <sub>2</sub> X2 D <sub>3</sub> X2 D <sub>4</sub> X2 D <sub>5</sub> X2
<b>E</b>	<b>F</b>	<b>G</b>	<b>S</b>
E <sub>1</sub> X1 (3/8") E <sub>3</sub> X1 (5mm)	F <sub>1</sub> X2	G <sub>1</sub> X1 G <sub>2</sub> X1 G <sub>3</sub> X1	Screws for TV
E <sub>2</sub> X1 (1/8") E <sub>4</sub> X1 (4mm)			

A1		x3	①	x1
A1		x4	②	x1
A1		x3	③	x1
A1		x3	E	x1



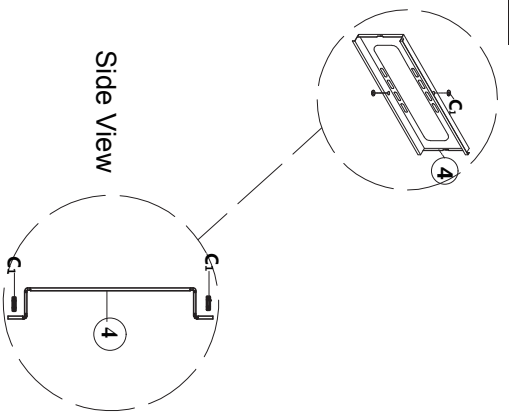
**⚠** Please do not fully tighten before fix all the 3 screws in the right holes.

B1		x4	E	x1
B1		x4	E	x1
B1		x4	F	x2

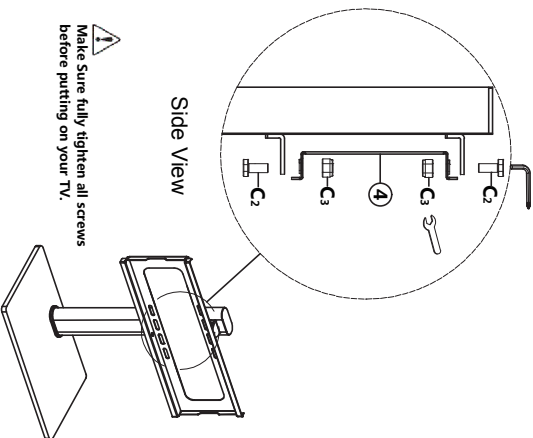


**⚠** Please don't fully tighten until Step 4 to fix all the screws in the right holes

④		x1
C		x2



C		x2	E	x1
C		x2	E	x1

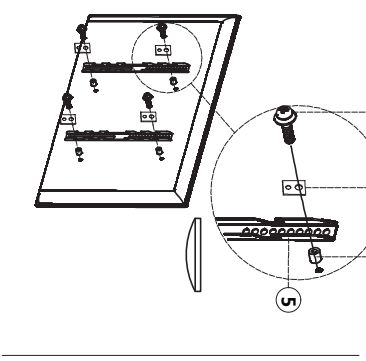


**⚠** Make Sure fully tighten all screws before putting on your TV.

## 5

**⚠** Choose right screws for TV, the screws suit to most of TVs, but not all TVs.

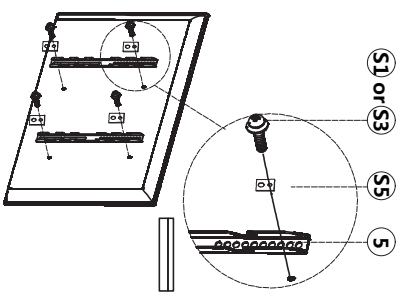
S2 or S4 S5 S6<sup>13</sup> or S6<sup>18</sup>



Curved or Recessed TV

S1		MIXES	x4	S5		Square Washer	x4
S2		MIXES	x4	S6		Spice Washer	x4
S3		MIXES	x4	5		Spice Washer	x4
S4		MIXES	x4	5		Spice Washer	x2

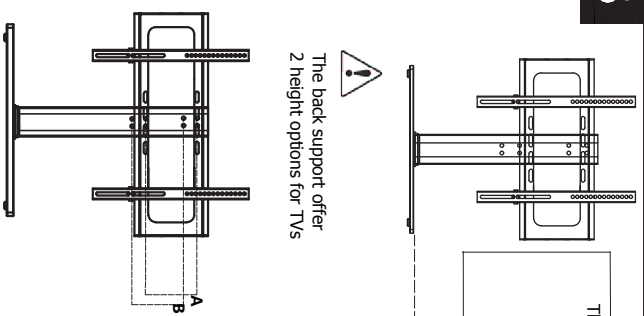
S1 or S3 S5 S



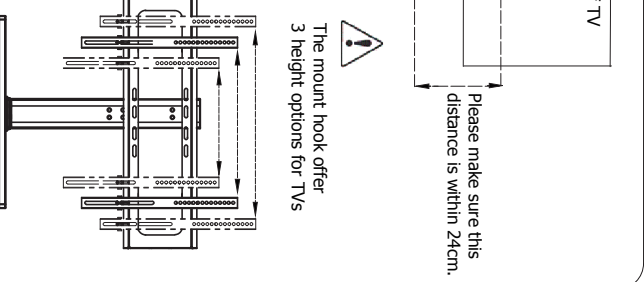
Flat Panel TV

## 6

**⚠** The back support offer 2 height options for TVs



**⚠** The mount hook offer 3 height options for TVs



## 7

g		x1	D	x2
g		x1	D	x2
g		x1	D	x2
g		x1	D	x2

