

# Manual

## Notice



Read this assembly manual carefully, and verify that you have all the parts listed before you begin. Keep your assembly manual for future reference.



Move this stand gently with 2 persons.



Protect finishes by placing furniture pieces on a soft carpeted surface during assembly.



Do not place very hot/cold objects on top of any surface. Always use a coaster or mat. Never leave liquids on the surface: Clean immediately with a mild soap and a damp cloth. Never use scouring powder based cleanser. Don't touch the glass surface with a hard/acute object it may cause the glass to shatter.



**DO NOT ASSUME CHILD SAFETY WITH ANY PIECE OF FURNITURE!**

Do not allow children to climb on furniture. Improper use can cause death or serious injury. If you are placing a TV on top use safety straps on your TV to prevent the risk of a toppling television. Furniture straps fastened to a wall can also be used to help ensure safety.

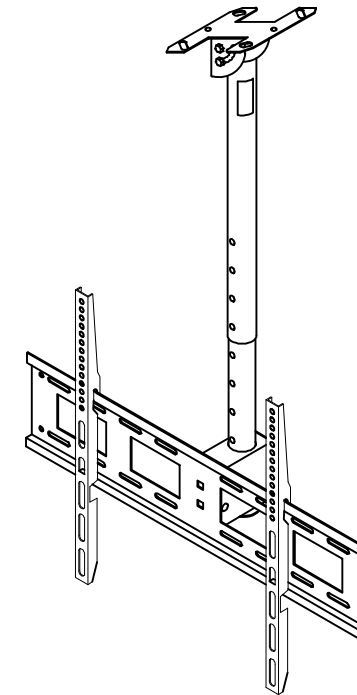
Damaged parts or furniture put together incorrectly can lead to serious injuries. Make sure to follow instructions correctly.

## Parts list

1 1x1 	2 2x1 	3 3x1 	4 4x1 	5 5x1 
6 6x1 	7 7x2 			
A Ax2  M8x60	B Bx2  M8x50	C Cx2  M10x15	D Dx2  M10x70	E Ex1 
F Fx2  M4x40	G Gx4 	H Hx4 	I Ix4 Screws for TV  φ12xφ8x5 M4x20 M5x20 M6x20	

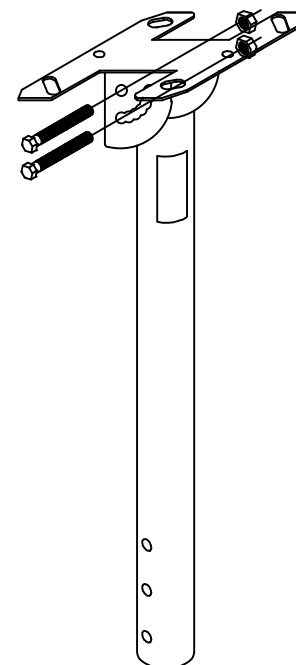


**Model NO:**  
**TV-MOUN-CEIL-6040-BK**  
**TV Wall Mount**



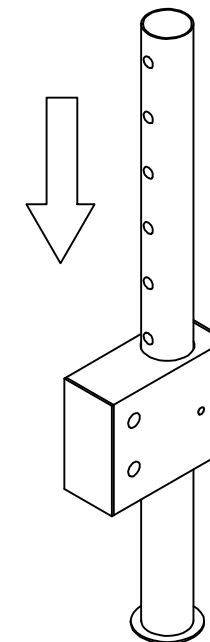
1

1 x1  
2 x1  
A x2



2

3 x1  
4 x1



**3**

**B** x2

**4**

**5** x1  
**6** x1  
**C** x2

**5**

**D** x2  
**E** x1

**6**

Choose right screws for TV, the screws suit to most of TVs, but not all TVs.

**7** x2

	M4X20	x4
	M5X20	x4
	M6X20	x4
		x4

**I**

Bracket **7** is suitable for the screens' back with curved or recessed

Bracket **7** is suitable for the screens' back with Flat

**7**

**F** x2  
**G** x4

Position the wall plate at your desired height and ensure the wall plate is horizontal. Mark well and punch.