

Manual

Notice



Read this assembly manual carefully, and verify that you have all the parts listed before you begin. Keep your assembly manual for future reference.



Move this stand gently with 2 persons.



Protect finishes by placing furniture pieces on a soft carpeted surface during assembly.



Please wear your gloves before installation to avoid injury.



Do not place very hot/cold objects on top of any surface. Always use a coaster or mat. Never leave liquids on the surface. Clean immediately with a mild soap and a damp cloth. Never use scouring powder based cleanser. Don't touch the glass surface with a hard/acute object it may cause the glass to shatter.

DO NOT ASSUME CHILD SAFETY WITH ANY PIECE OF FURNITURE!

Do not allow children to climb on furniture. Improper use can cause death or serious injury. If you are placing a TV on top use safety straps on your TV to prevent the risk of a toppling television. Furniture straps fastened to a wall can also be used to help ensure safety.

Damaged parts or furniture put together incorrectly can lead to serious injuries. Make sure to follow instructions correctly.



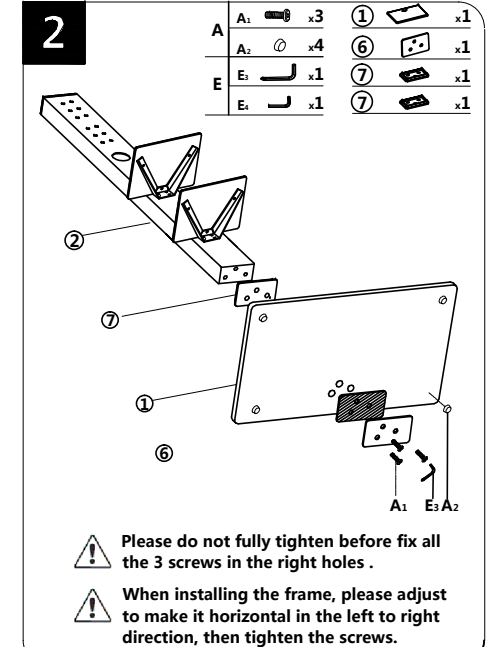
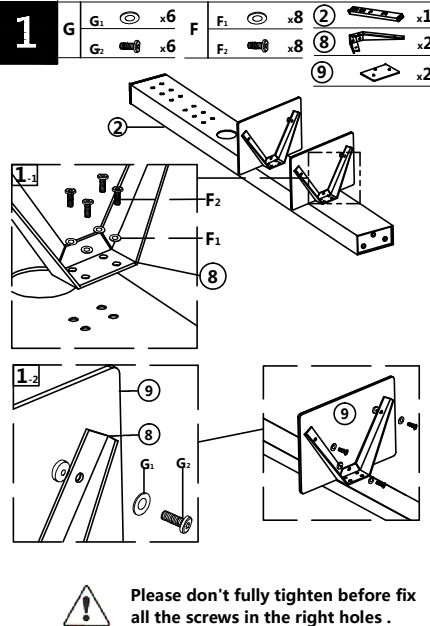
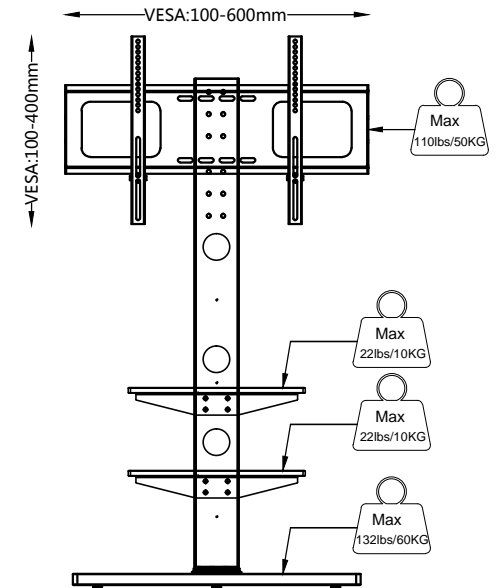
Parts list

① x1	② x1	③ x2	④ x1	⑤ x2
⑥ x1 (paper gasket)	⑦ x1	⑧ x2	⑨ x2	
A A ₁ X3 A ₂ X4	B B ₁ X4 B ₂ X4 B ₃ X4	C C ₁ X2 C ₂ X2 C ₃ X2	D D ₁ X2 D ₂ X2 D ₃ X2 D ₄ X2 D ₅ X2	E E ₁ X1 E ₂ X1 E ₃ X1
F F ₁ X8 F ₂ X8	G G ₁ X6 G ₂ X6	H H ₁ X1 H ₂ X1 H ₃ X1 H ₄ X1	I I ₁ X1	S Screws for TV



Model No.: TV-MOUN-003-BK Floor TV Stand With Mount

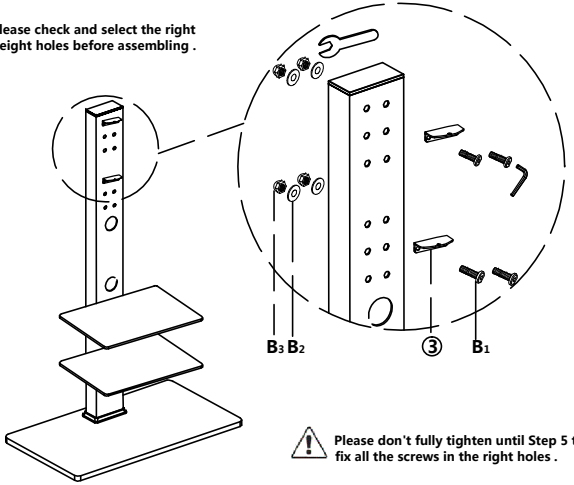
For 32-70 Inch TV



3

B ₁	×	4	E ₁	×	1
B ₂	×	4	E ₂	×	1
B ₃	×	4	③	×	2

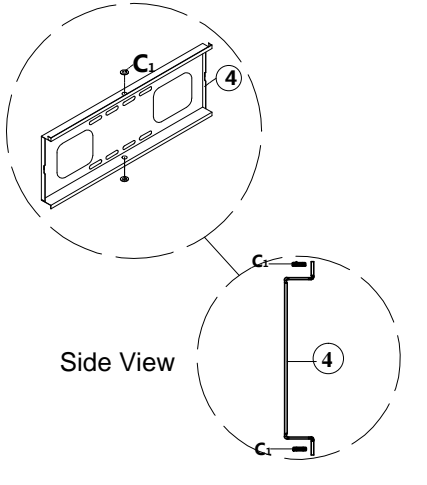
Please check and select the right height holes before assembling.



Please don't fully tighten until Step 5 to fix all the screws in the right holes.

4

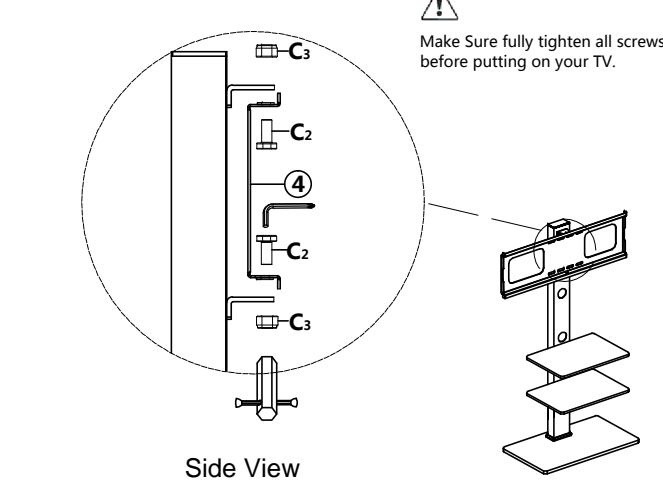
④	×	1
C	×	2



Side View

5

C	×	2	E	×	1
C ₁	×	2	I	×	1



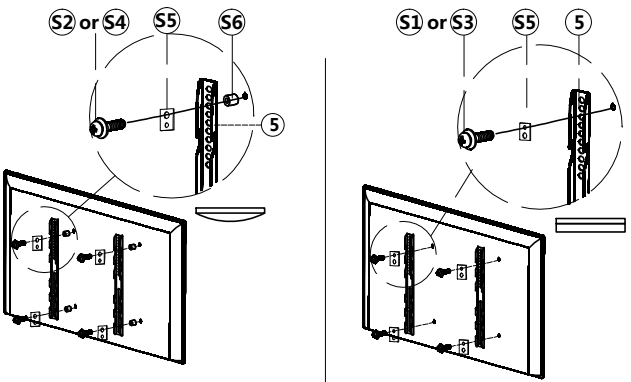
Side View

Make Sure fully tighten all screws before putting on your TV.

6

S1	×	4	S5	×	4
S2	×	4	S6	×	4
S3	×	4	⑤	×	2
S4	×	4			

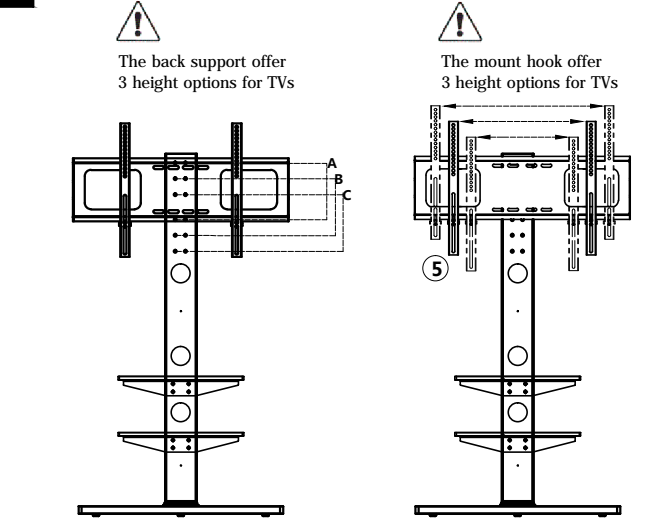
Choose right screws for TV, the screws suit to most of TVs, but not all TVs.



Curved or Recessed TV

Flat Panel TV

7

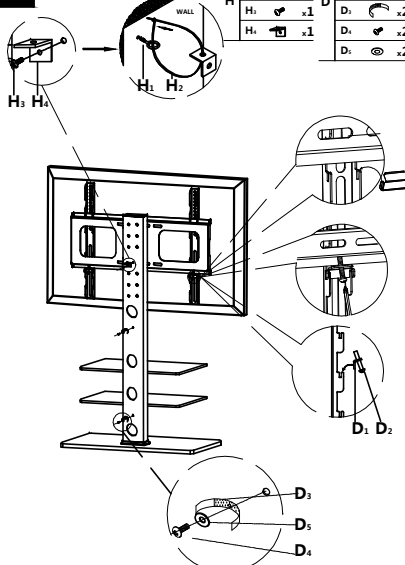


The back support offer 3 height options for TVs

The mount hook offer 3 height options for TVs

8

H ₁	×	1	D ₁	×	2
H ₂	×	1	D ₂	×	2
H ₃	×	1	D ₃	×	2
H ₄	×	1	D ₄	×	2



WALL