








## DOUBLE MONITOR ARM MODEL: MA-D-212-BK

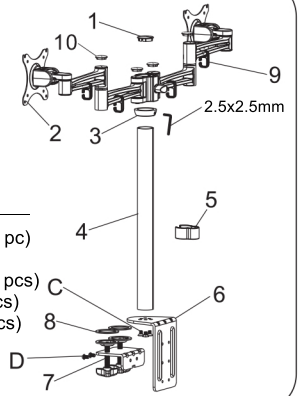
### ASSEMBLY INSTRUCTIONS



#### PARTS LIST

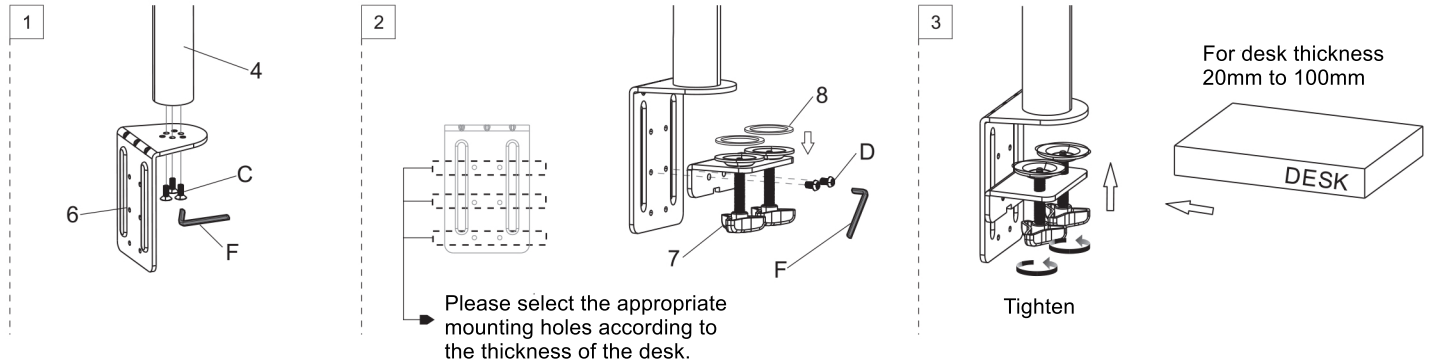
- |  |   |  |  |
|--|---|--|--|
|  M4x12mm<br>A (8 pcs)               |  M5x12mm<br>B (8 pcs) |  M6x16mm<br>C (3 pcs) |  M6x10mm<br>D (2 pcs) |
|  6.5dia x 13dia x 2mm<br>E (16 pcs) |  4 x 4mm<br>F (1 pc) |  5 x 4mm<br>G (1 pc)  |  |

- |                         |                             |
|-------------------------|-----------------------------|
| 1. Tube cover (1 pc)    | 6. Bottom support (1 pc)    |
| 2. Monitor plate (1 pc) | 7. Knob (1 pc)              |
| 3. Fixed ring (1 pc)    | 8. Anti-slip rubber (2 pcs) |
| 4. Tube (1 pc)          | 9. Cable holder (4 pcs)     |
| 5. Cable cover (1 pc)   | 10. Plastic caps (4 pcs)    |



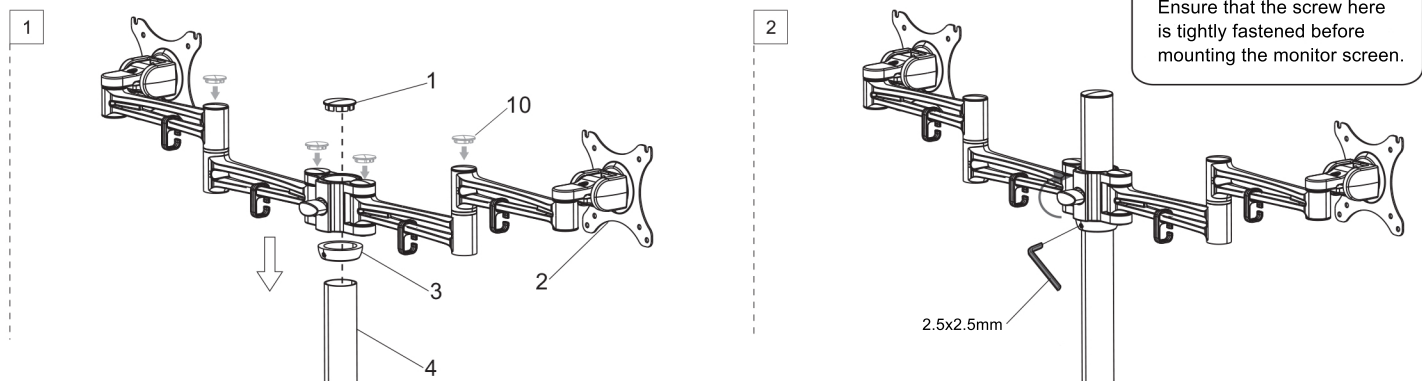
## STEP 1

### Bottom support assembly and attachment



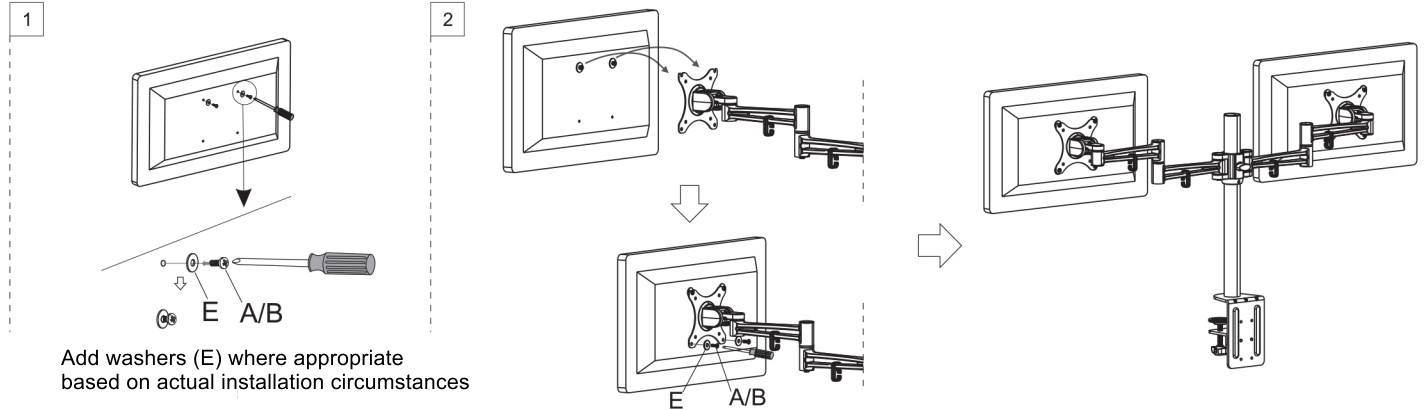
## STEP 2

### Monitor plate and fixed ring installation



## STEP3

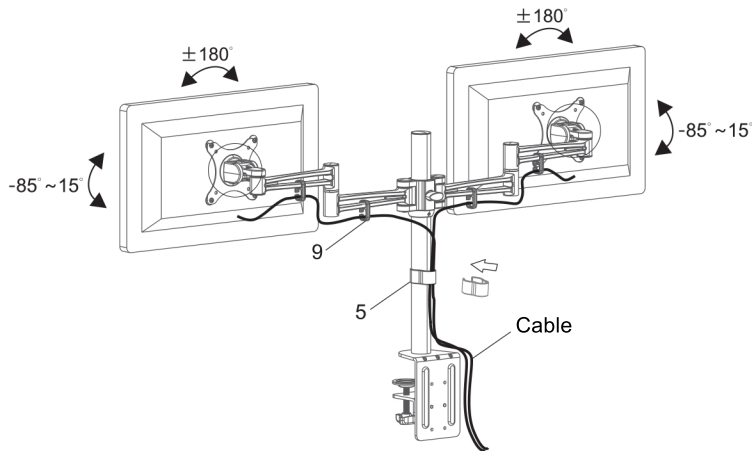
Monitor screen to monitor plate attachment



Add washers (E) where appropriate based on actual installation circumstances

## STEP4

Monitor screen adjustments



Use the supplied 5x5mm Allen key (G) to adjust the desired monitor inclinations.

## CAUTION

This product contains small items that could be choking hazards if swallowed. Keep these items away from young children.

- Please read these instructions carefully and understand them before attempting installation. If you are unsure of any part of this installation, please contact a professional installer for assistance.
- The desk or mounting surface must be capable of supporting the combined weight of the mount and display. Otherwise, the structure must be reinforced.
- Safety gear and proper tools must be used. A minimum of two persons are required for this installation. Failure to use safety gear can result in property damage, serious injury or death.
- Please check all joints every two months to ensure that the screws are not loosened.

This product is designed to be installed on a desk. Before installation, please ensure that the combined load of the equipment and hardware do not exceed the maximum load capacity of 10kg to prevent product failure or personal injury.

This product is intended for indoor use only. Use of this product outdoors could lead to product failure or personal injury.